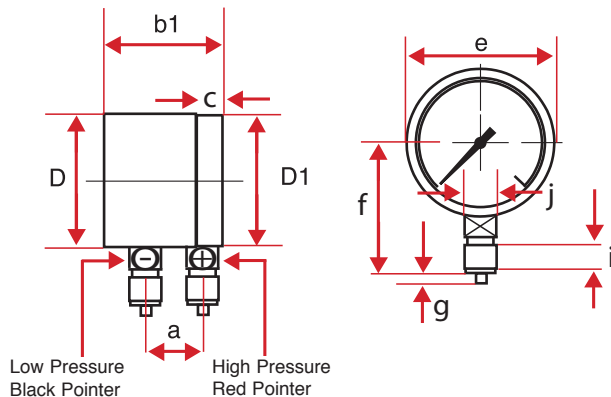


NEW! Differential Pressure Gauge with Double Bourdon Tube • Models 40MB • 40MS



40MS Differential Gauge

Dimensions



Dimensions in inches (mm)					
Case Size	a	b1	c	D	D1
4" (100 mm)	1.25" (32 mm)	3.14" (80 mm)	0.62" (16 mm)	3.975" (100 mm)	3.872" (98 mm)
Weight	e	f	g	i	j
2.4 lbs (1.08kg)	4" (102 mm)	3.74" (95 mm)	0.11" (3 mm)	0.78" (20 mm)	0.86" x 0.86" (22 x 22 mm)

Specifications subject to change without notice.

High, Low, and Differential Pressures Read all three at a glance!

Palmer Instruments introduces two new **Industrial Strength Differential Pressure Gauges**. Featuring double bourdon tube construction, these versatile gauges allow you to see the high and low pressures, as well as the differential between the two – with just a quick glance. The black pointer indicates the low on the outer scale; the red, knife-edge pointer indicates the high on the outer scale, and allows for direct reading of the differential pressure on the inner scale.

- **40MS Stainless Steel Case Pressure & Differential Gauge with Stainless Steel Internals for Use in Corrosive Environments**
- **40MB Stainless Steel Case Pressure & Differential Gauge with Brass Internals for General Use**

Specifications

Case: 4" (100mm) Stainless Steel.

Dial: Two white aluminum dials with black numerals and graduations.

Window: 3mm Glass.

Pointer: Red aluminum knife-edge pointer indicates both the primary or high pressure, and the differential. Black aluminum pointer indicates low pressure.

Difference is calculated by:

$$\Delta P = (P+)(\text{High}) - (P-)(\text{Low})$$

O-Ring and Blow-out Vent: Rubber

Socket: 40MS: 316 Stainless Steel
40MB: Brass

Welding: 40MS: AISI 316 Stainless Steel, TIG Argonarc
40MB: Tin Welding

Connection: 1/2" NPT, 1/4" NPT

Double Bourdon Tubes:
40MS: 316 Stainless Steel
40MB: Brass

Movement: 40MS: 316 SS
40MB: Brass

Accuracy: ± 1.5% of Full Scale

Range Availability: 15 - 1500 PSI

Operating Medium Temperature:
40MS: 100°C.
40MB: < 80°C

Ambient Temperature:
-4° to 140°F (-20° to +60°C)

Mounting: Stem Mount, Lower Connected. Front or Back Flange optional.

Protection: IP45.

Available Ranges	
Code	PSI
15#	15 PSI
30#	30 PSI
60#	60 PSI
100#	100 PSI
160#	160 PSI
200#	200 PSI
300#	300 PSI
600#	600 PSI
1000#	1000 PSI
1500#	1500 PSI

Complete Calibration Services Available